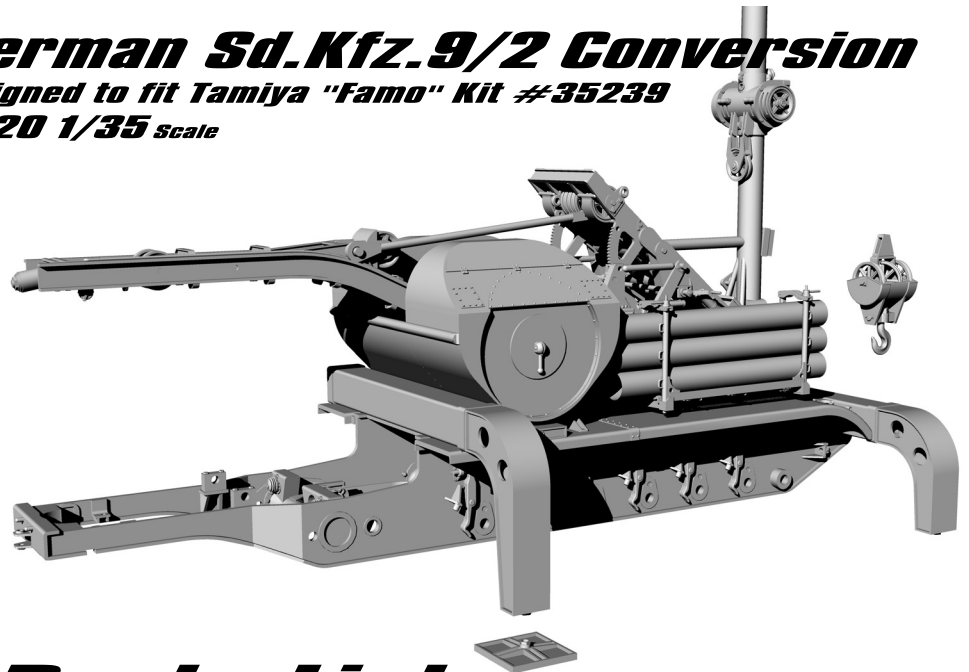
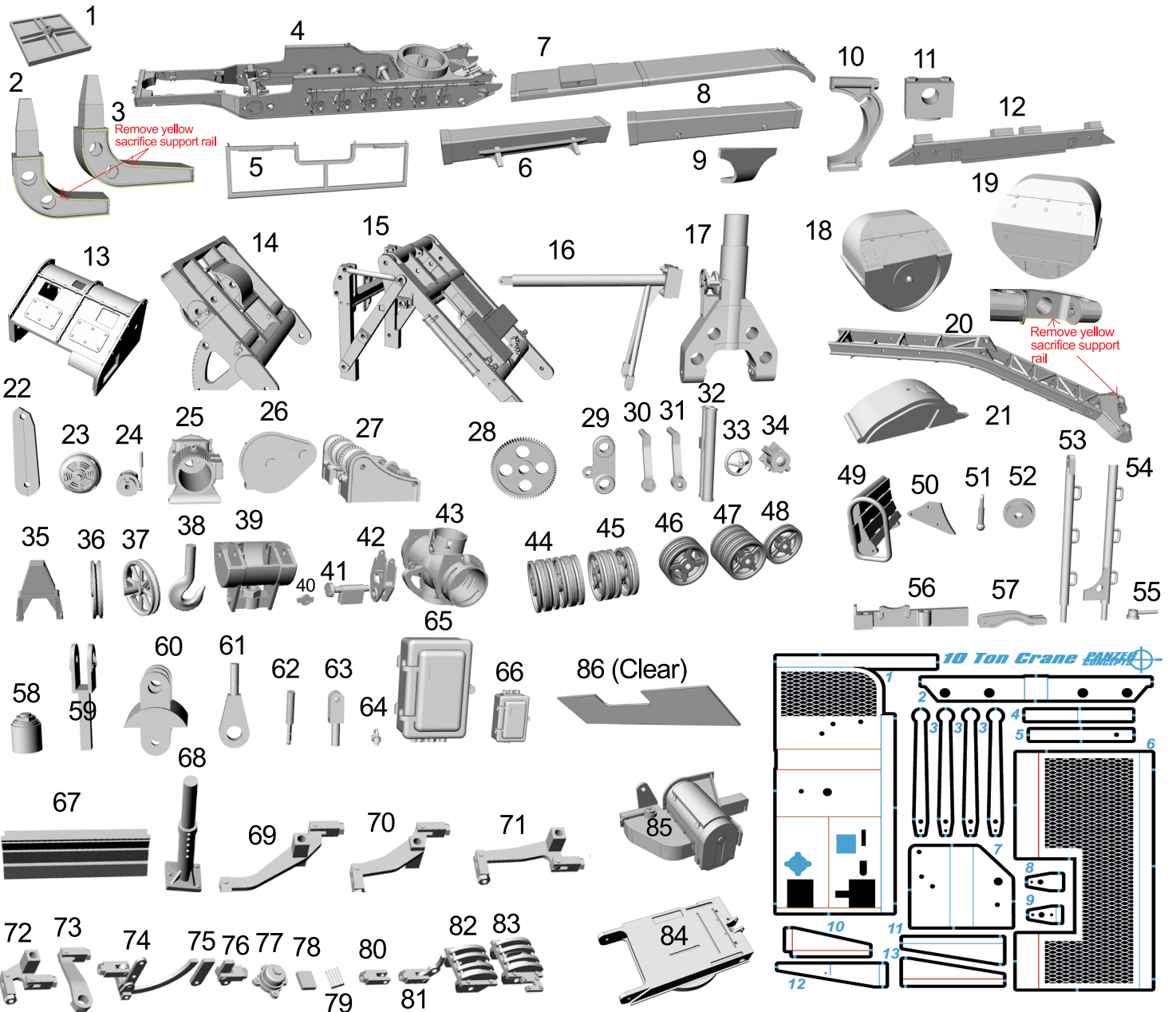
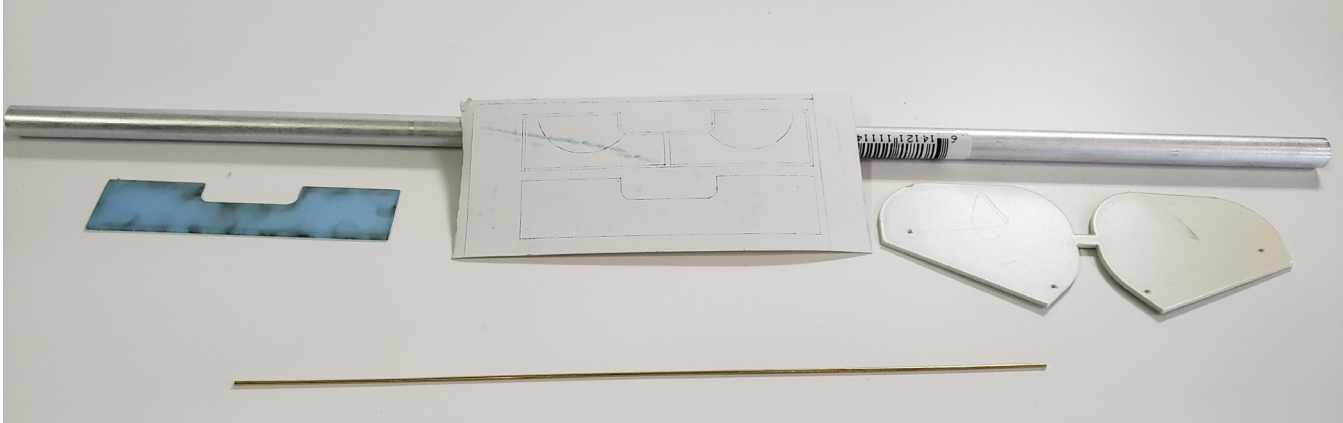
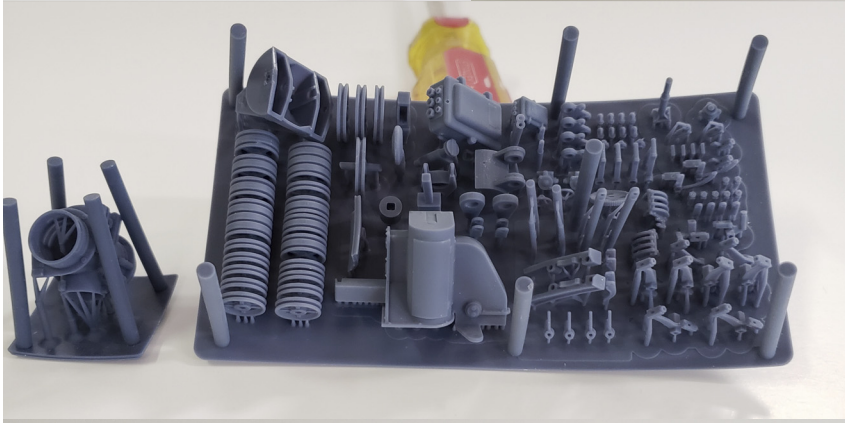
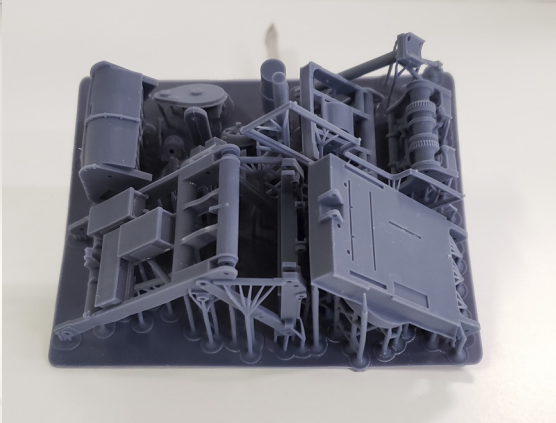
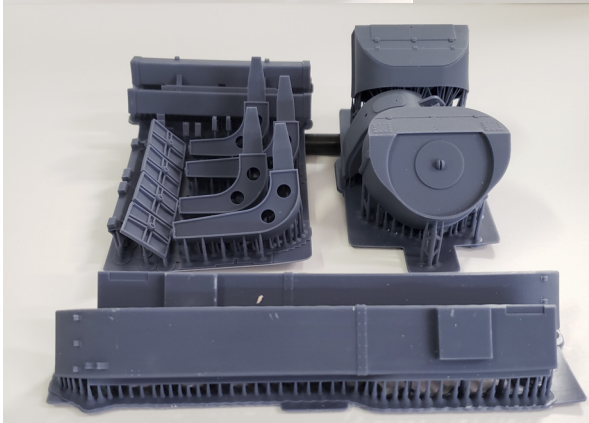
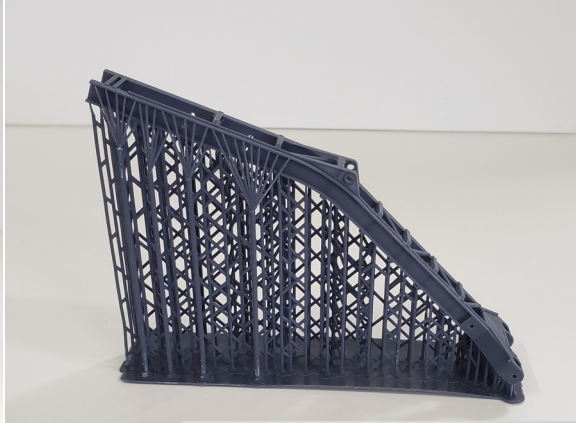
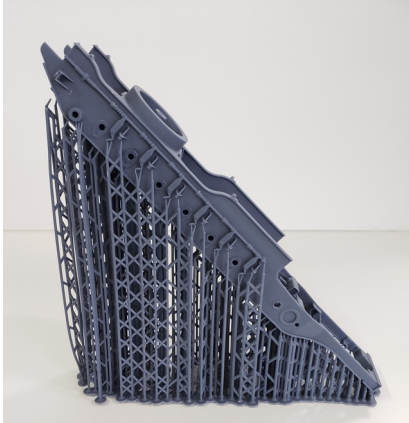


Printed resin is a harder and more fragile so care must be used in removing the supports. The best results can be achieved by using flush cutters (Tamiya). Sand all contact points with a fine file or sanding board all parts can be attached using cyanoacrylate. If any parts are warped they can be straightened with hot water and/or heat gun.



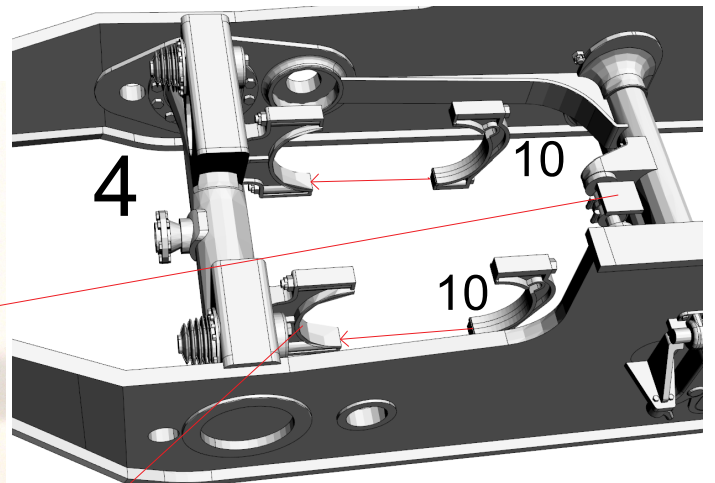
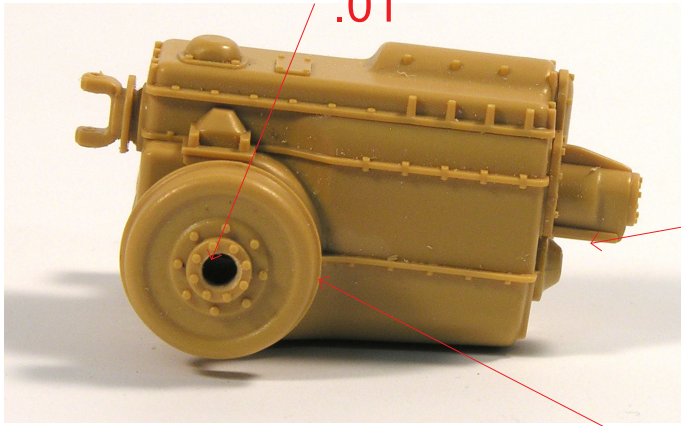
Parts List



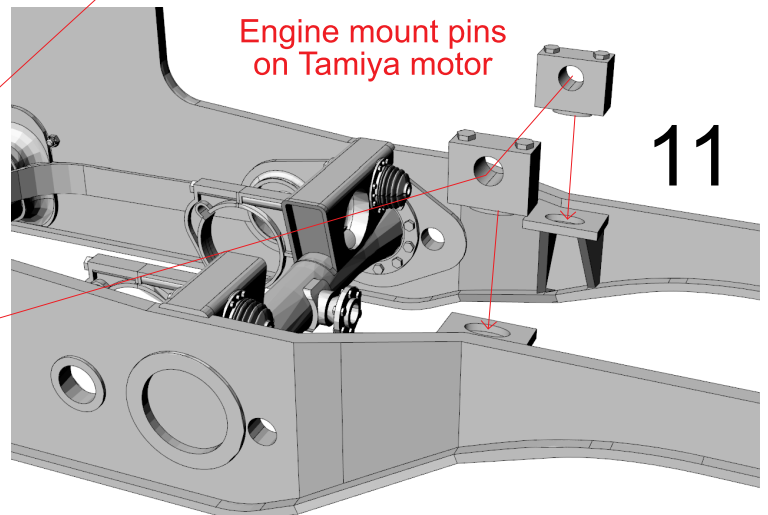
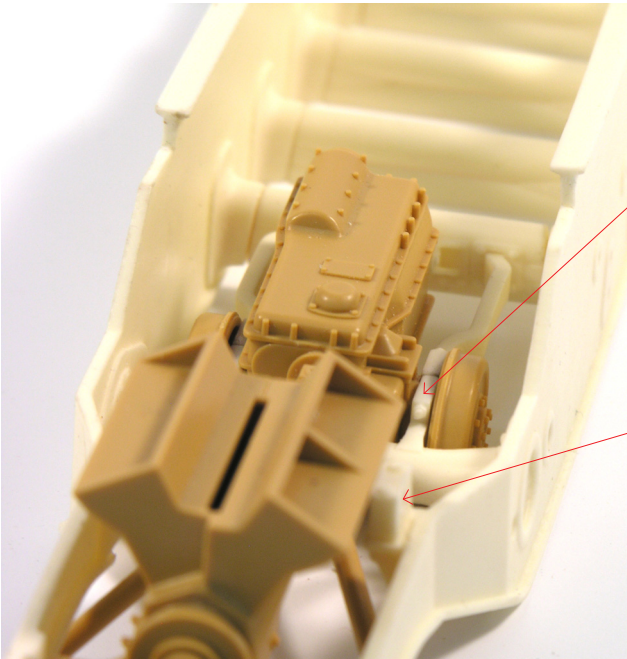


1

Drill driveshafts
.01

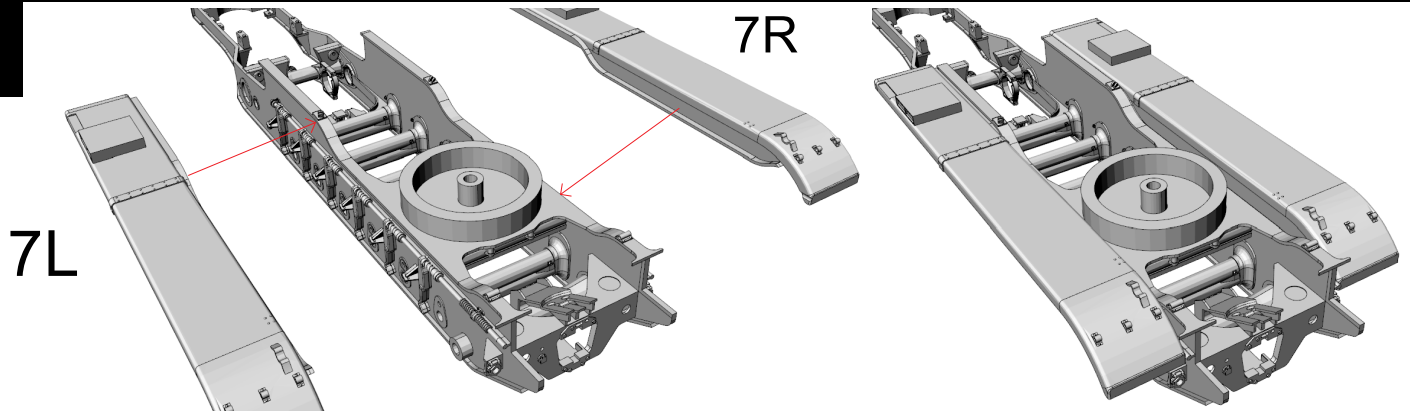


Tamiya transmission fits on part 10 behind break drum then slide .01 rod through frame and transmission

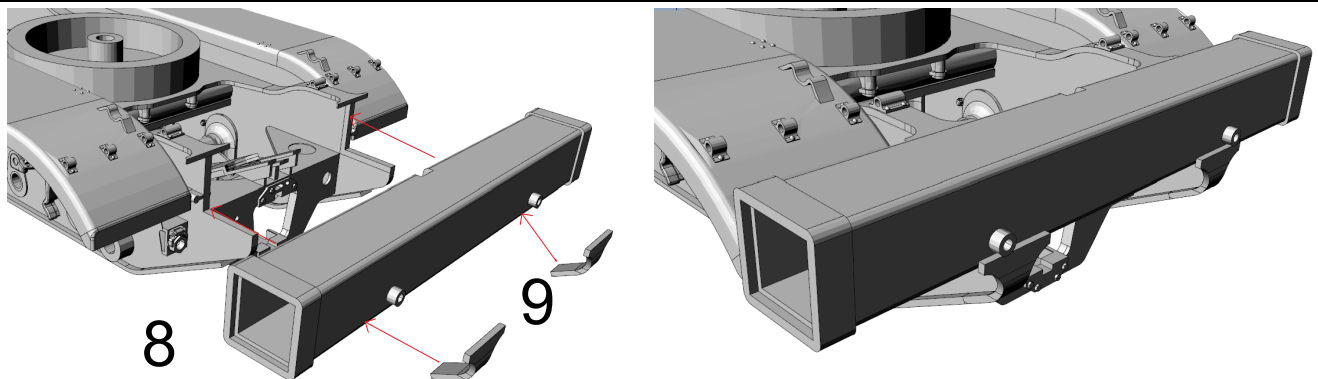


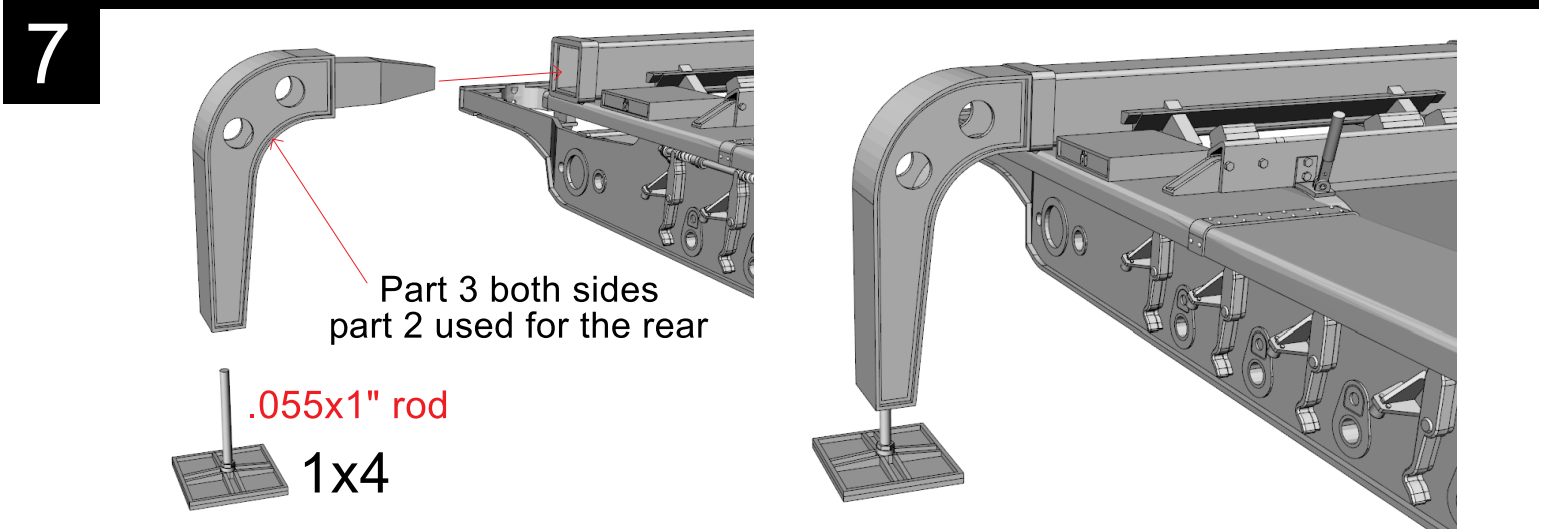
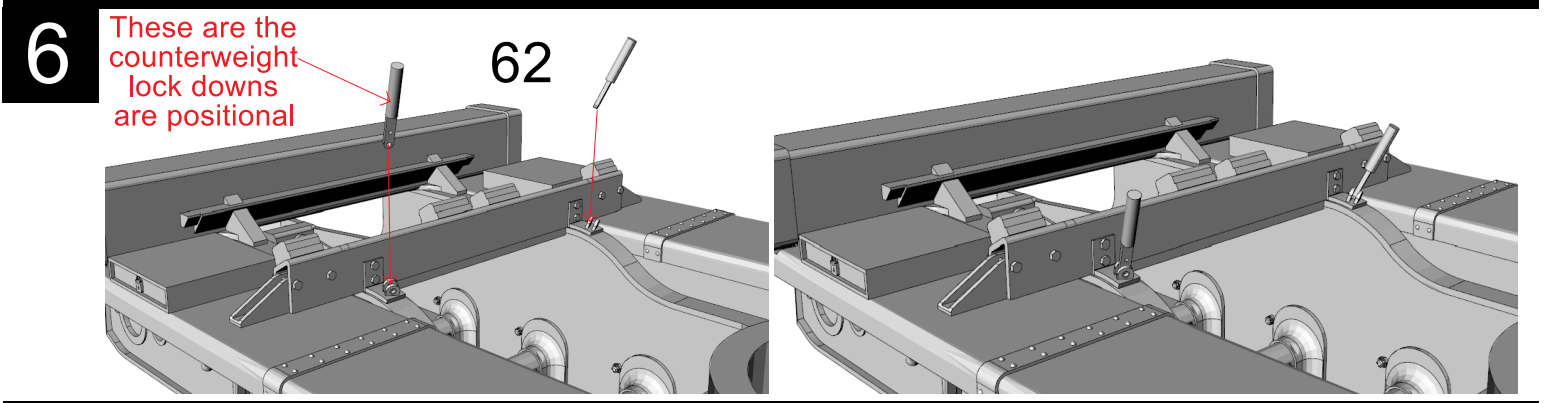
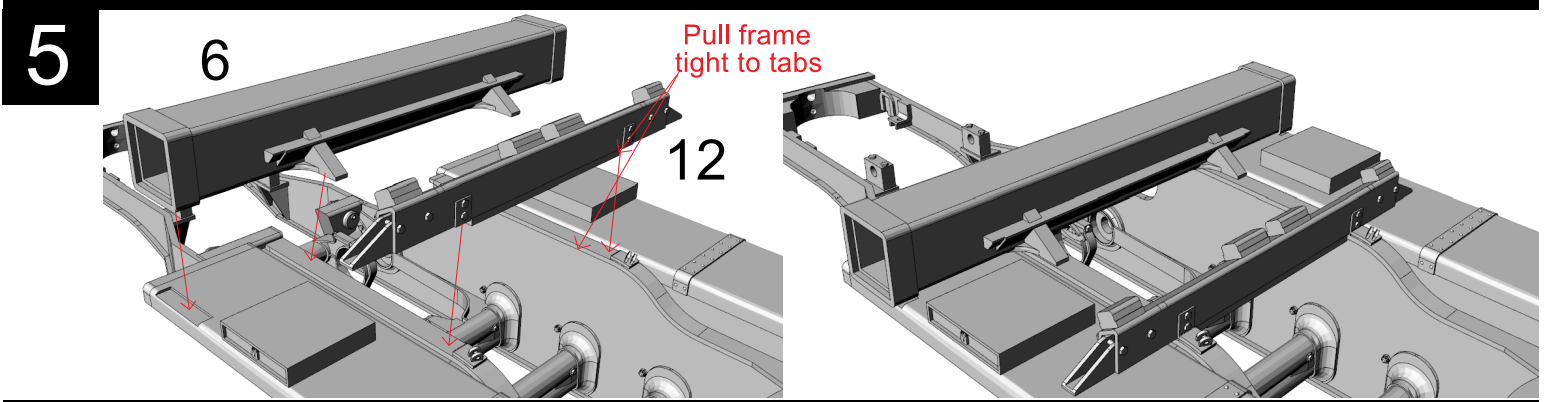
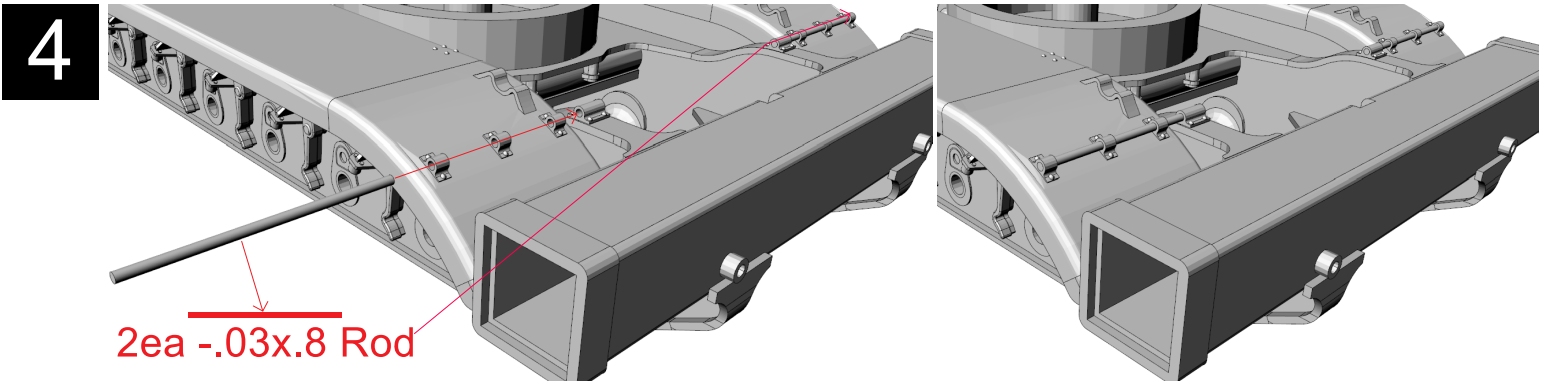
Build rest of frame as per Tamiya instructions

2



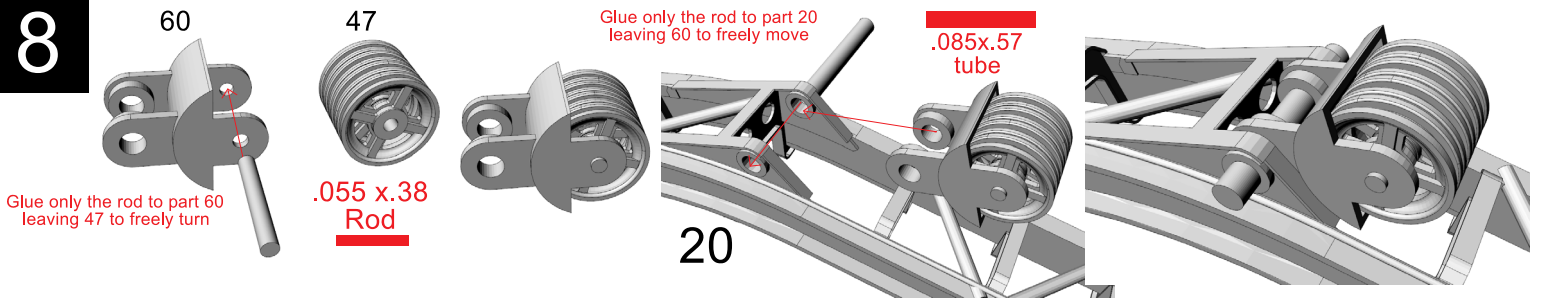
3





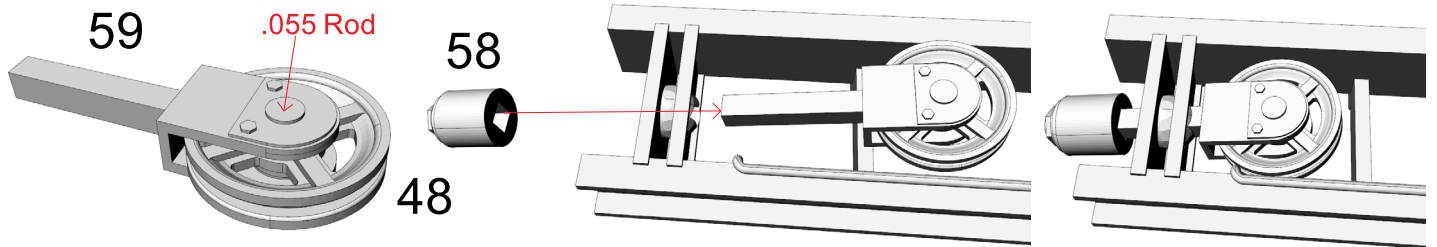
Outriggers were used when the crane is in the operating position
 These were stored in a separate trailer when not used.
 (Das Werk 5 ton trailer (#35006) would fill this role)

8

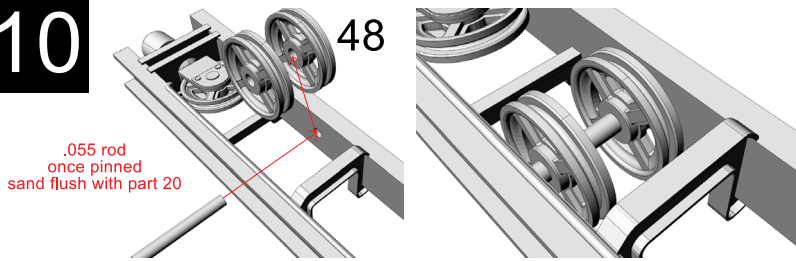


9

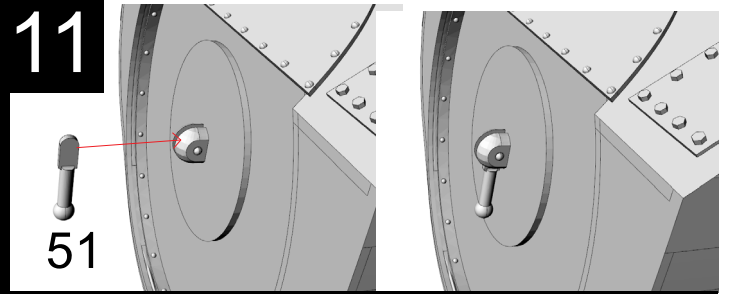
For easier rigging do not glue assembly to frame 20 at this time , Wait until you run the cable through pulley assembly then glue 58 to 59. (Just test fit at this time)



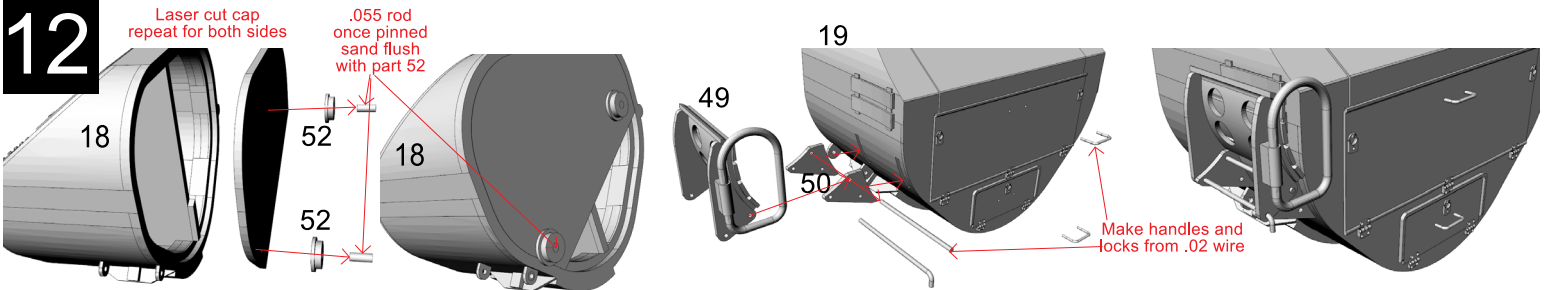
10



11



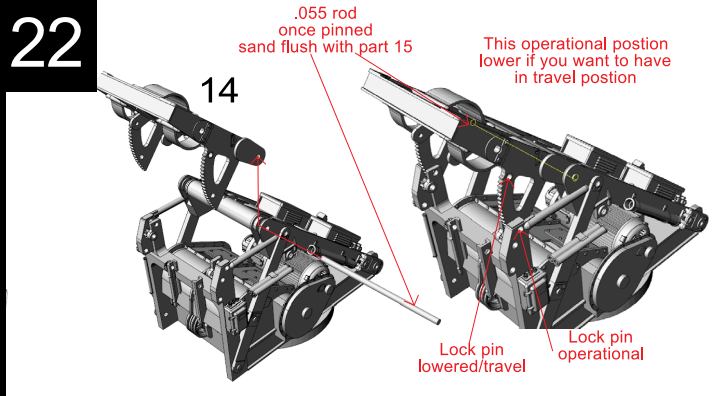
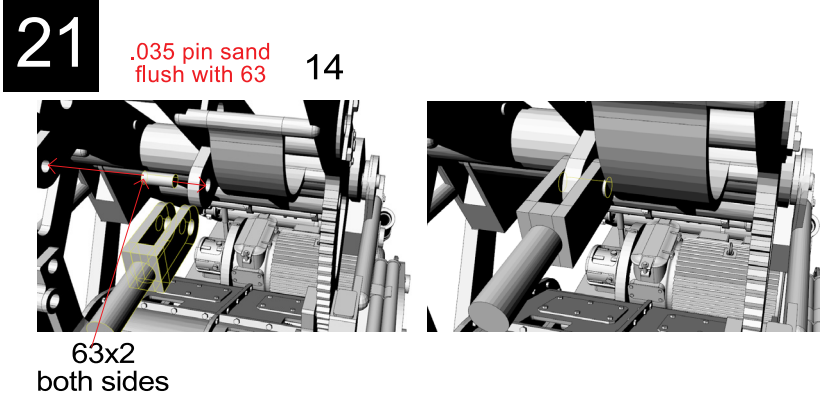
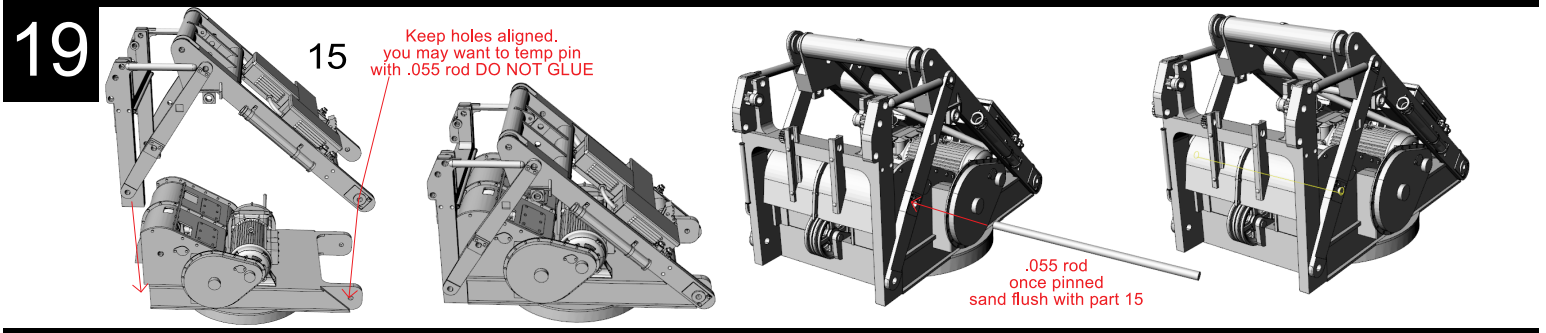
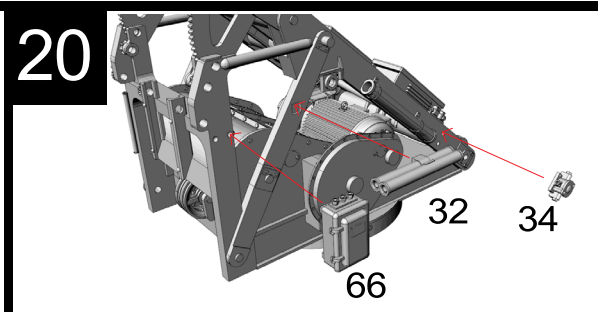
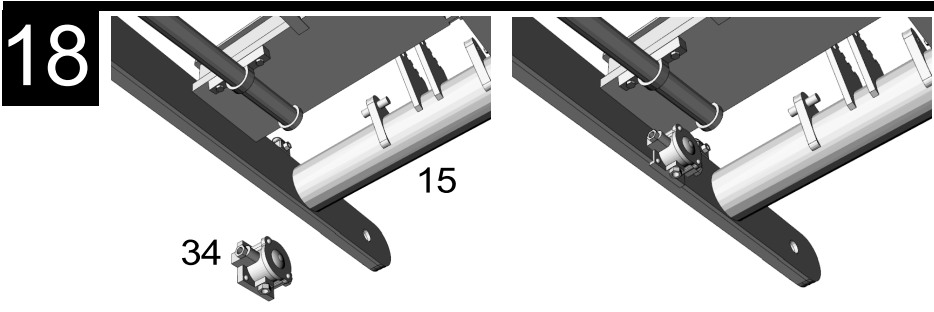
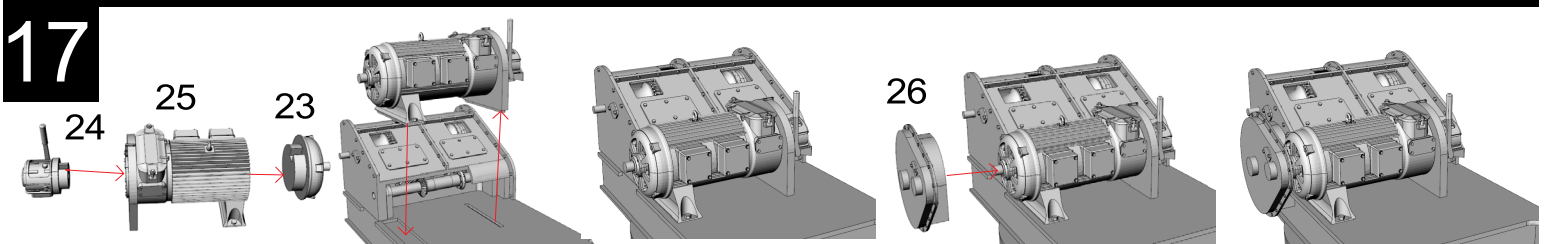
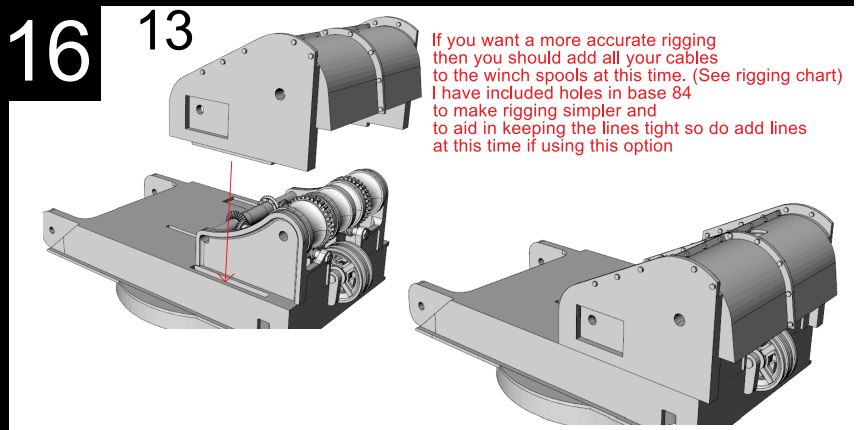
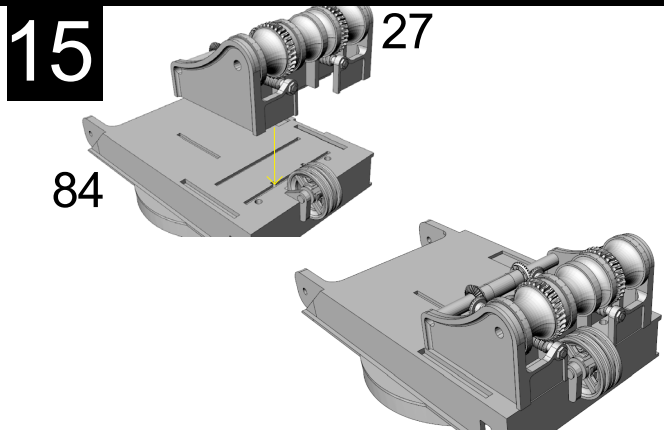
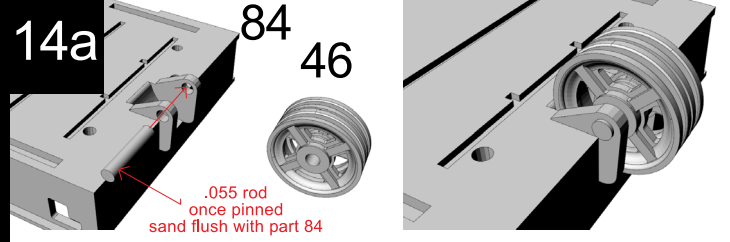
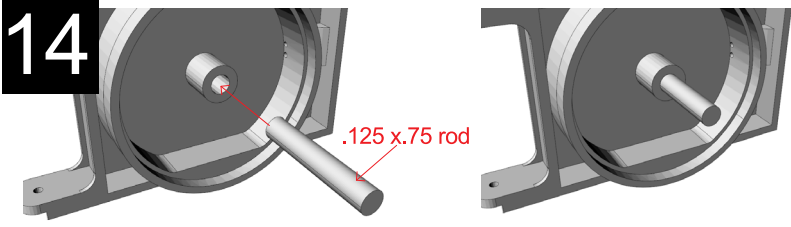
12

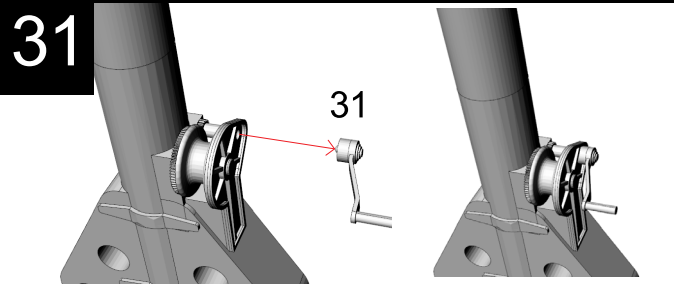
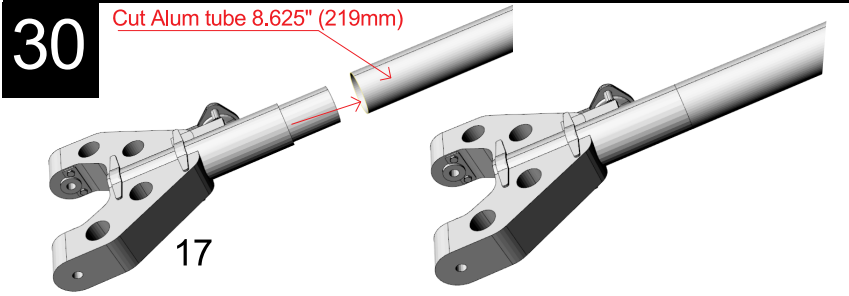
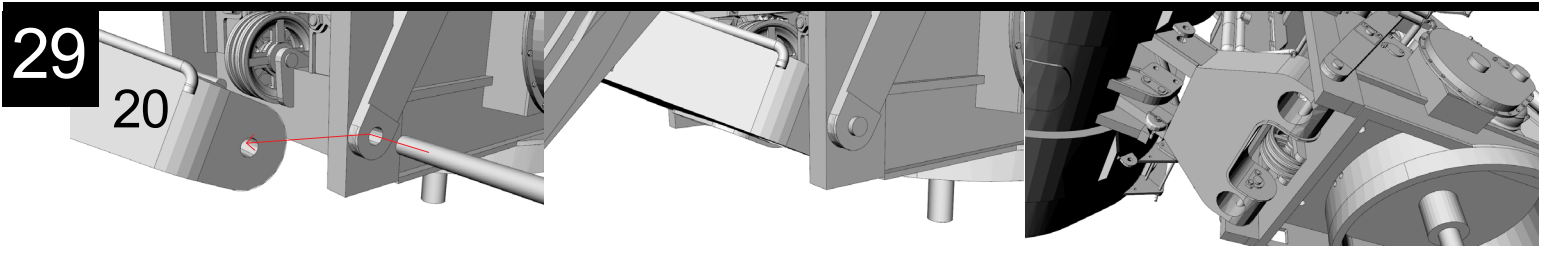
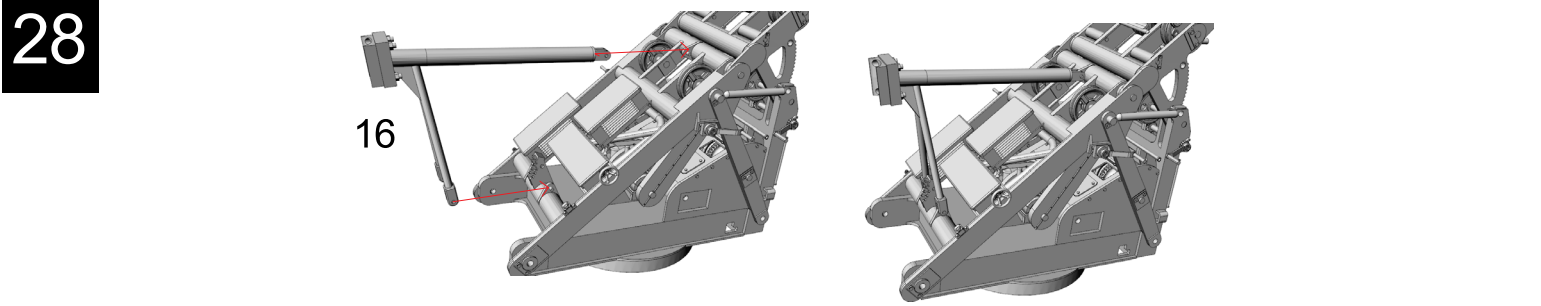
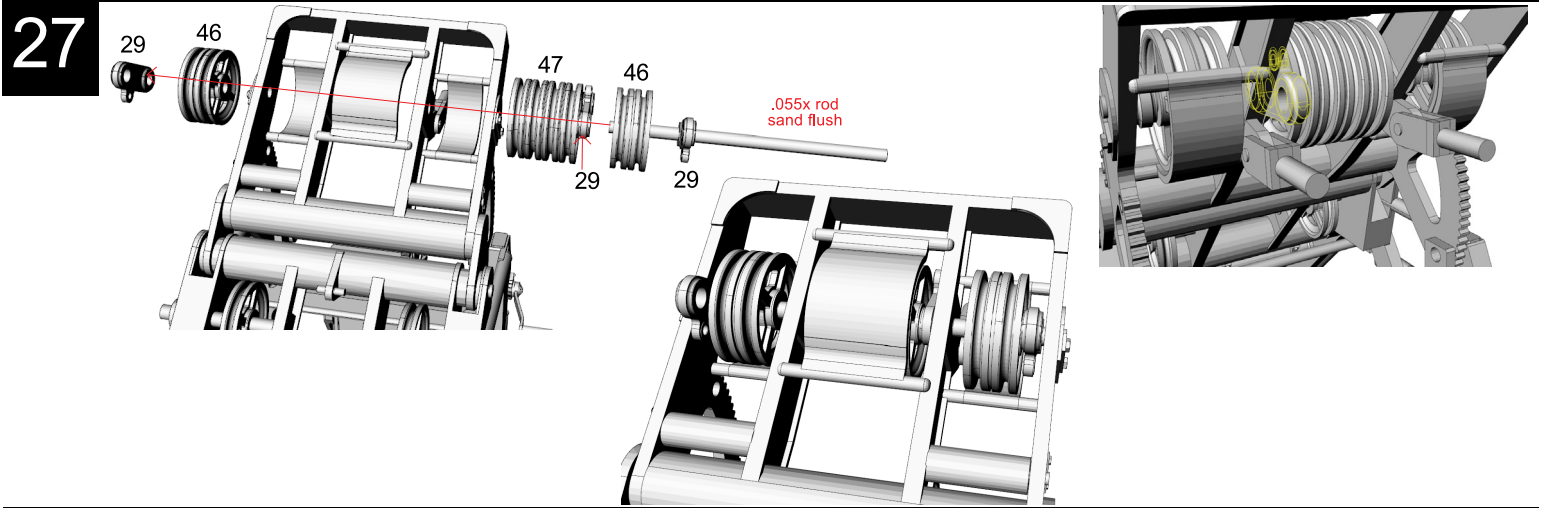
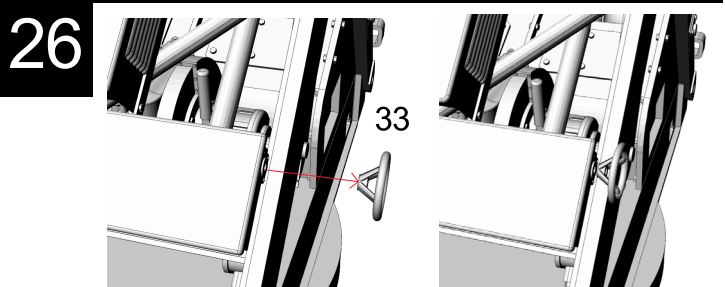
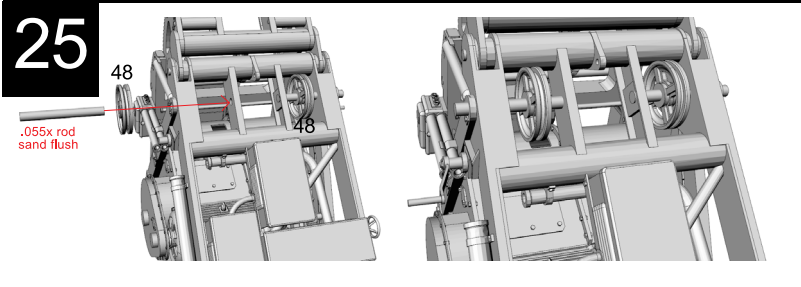
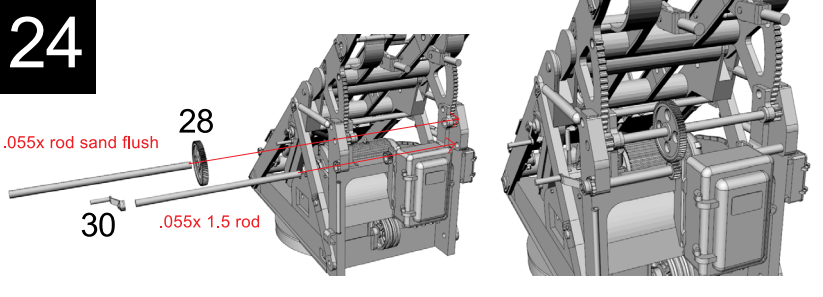
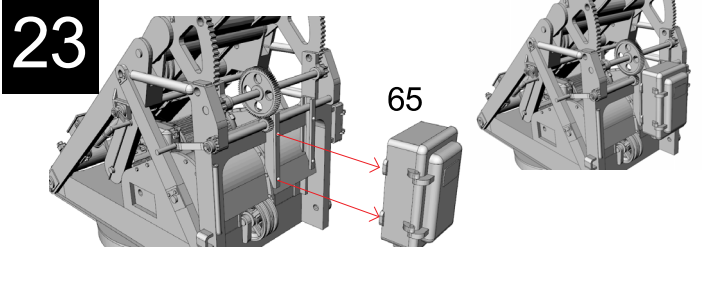


13

For easier rigging do not glue assembly to frame 20 at this time Wait until you ready to run cable (Just test fit at this time)





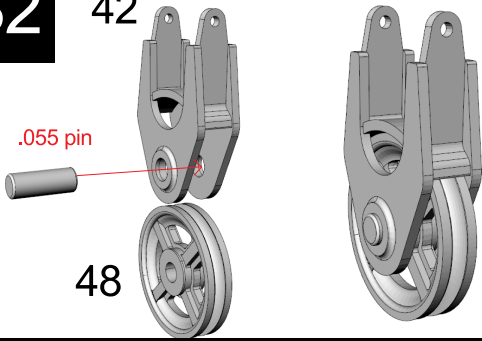


32

42

.055 pin

48

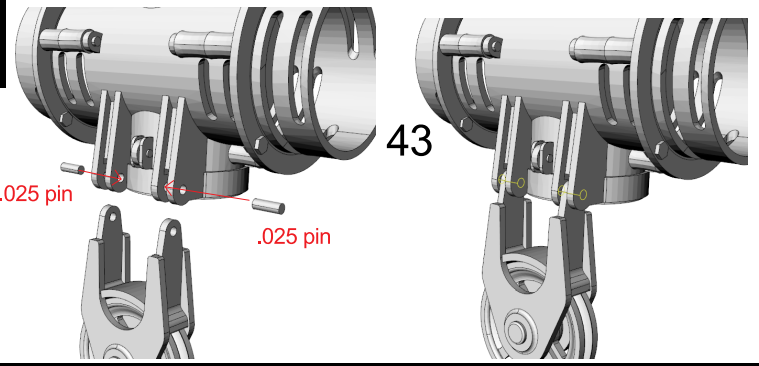


33

.025 pin

.025 pin

43



34

It is easier to run .055 rod through the full assembly then trim rod back

.055 pin both sides

40

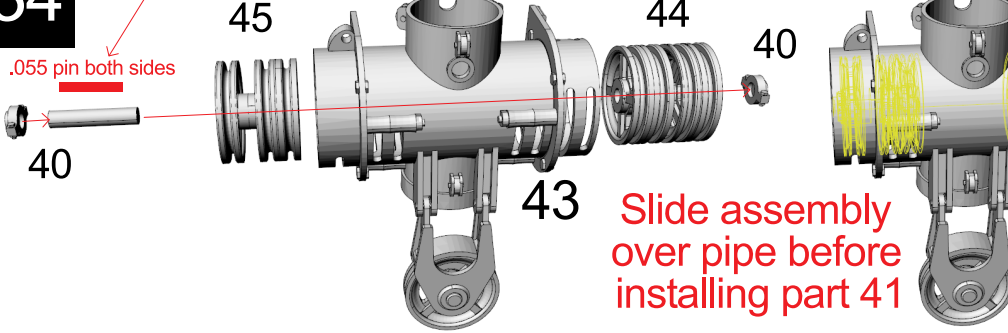
45

44

40

43

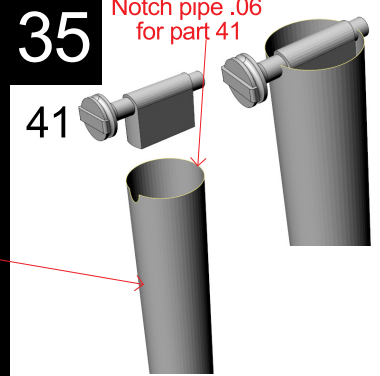
Slide assembly over pipe before installing part 41



35

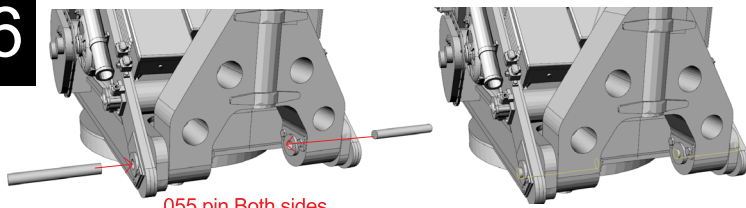
Notch pipe .06 for part 41

41



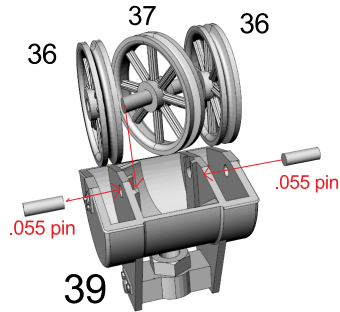
36

.055 pin Both sides



38

Included a spare part 36 if you want to cut you own angled .055 rod to replace part 37 to make it operational

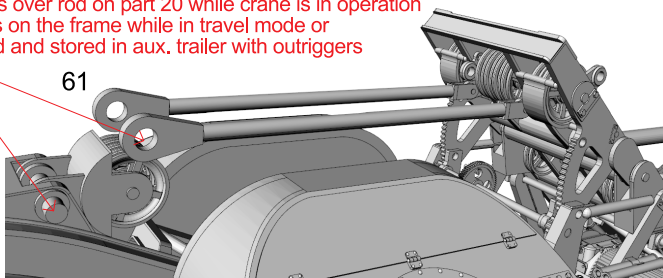


37

2-1.83x.8 tube

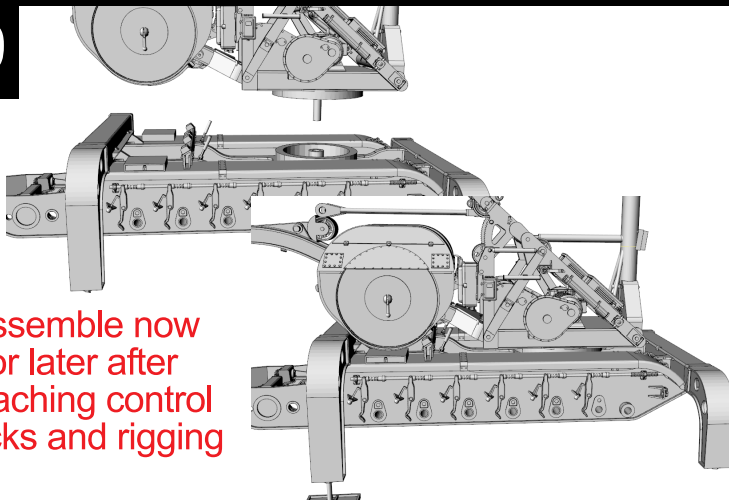
Part 61 hooks over rod on part 20 while crane is in operation and just rests on the frame while in travel mode or was removed and stored in aux. trailer with outriggers

61



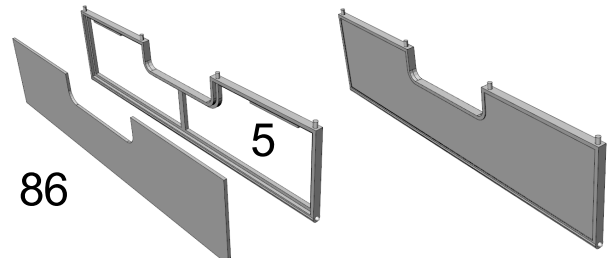
39

Assemble now or later after attaching control decks and rigging



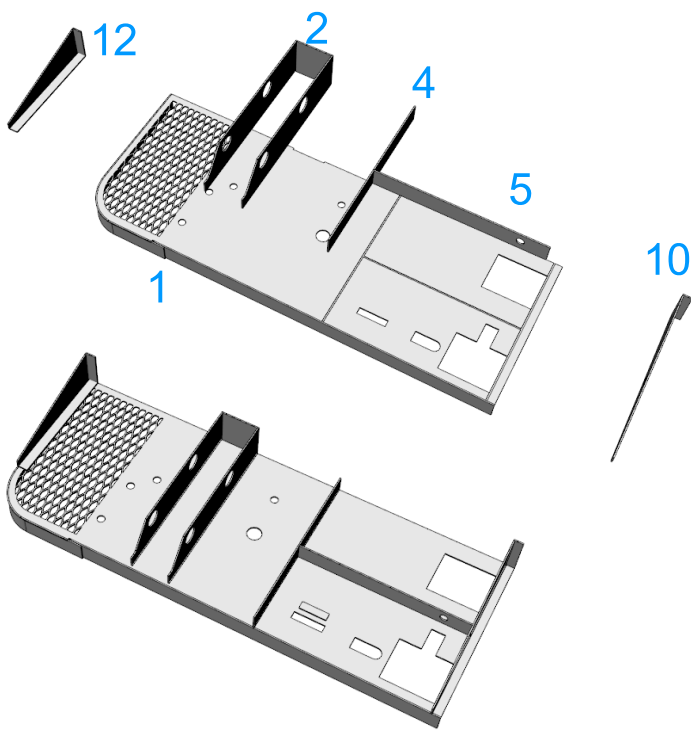
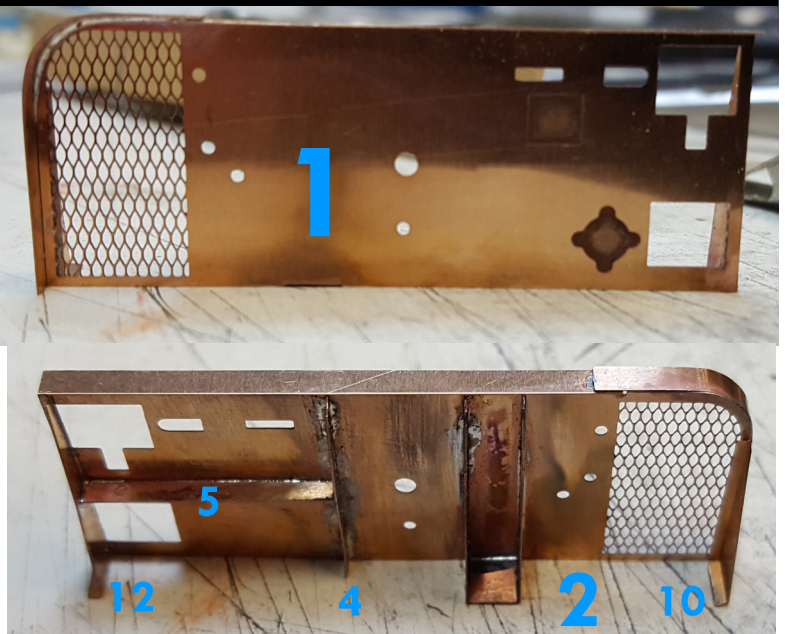
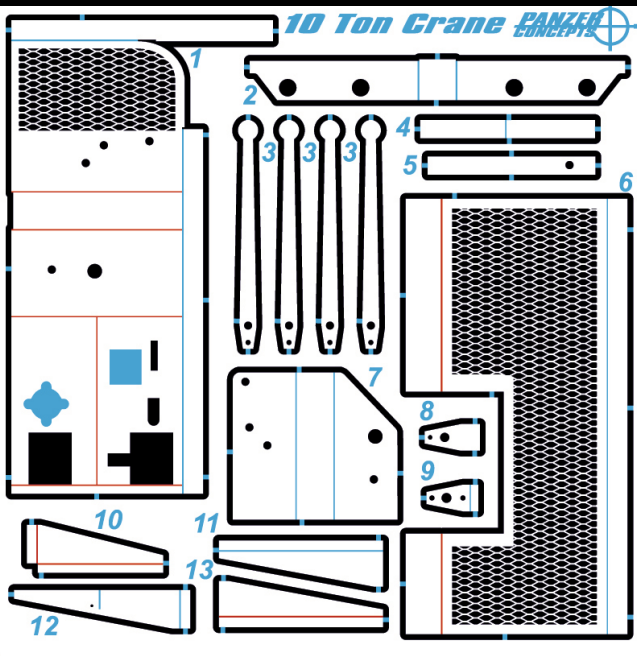
40

Replaces Tamiya part d35 paint mask is included

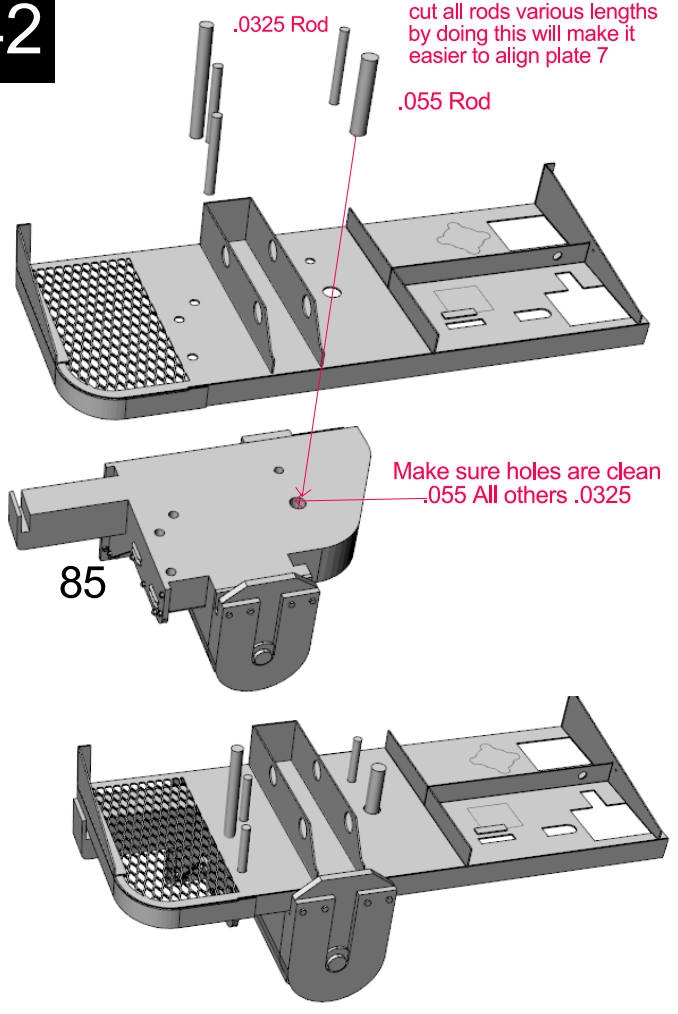


41

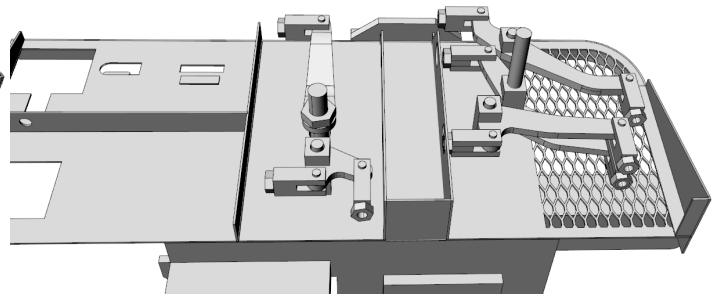
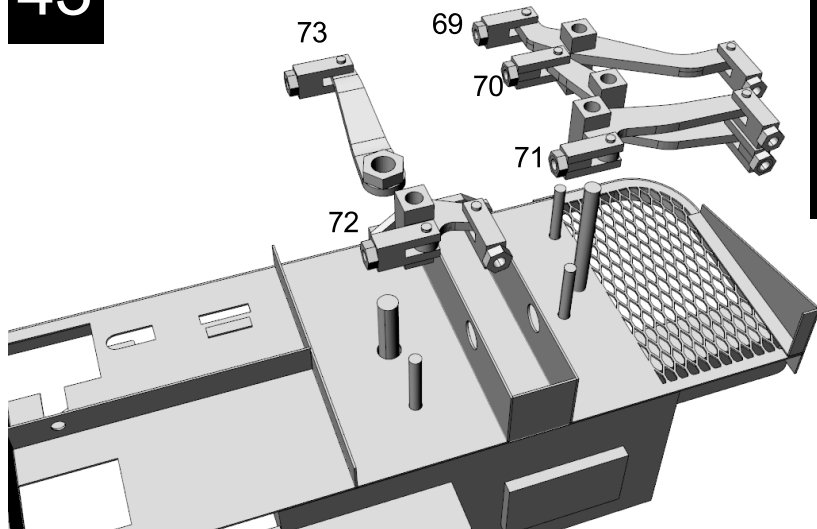
10 Ton Crane **PANZER**



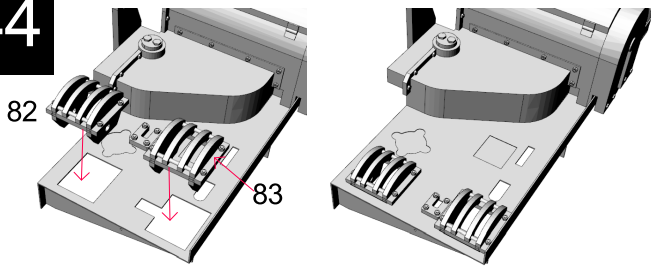
42



43

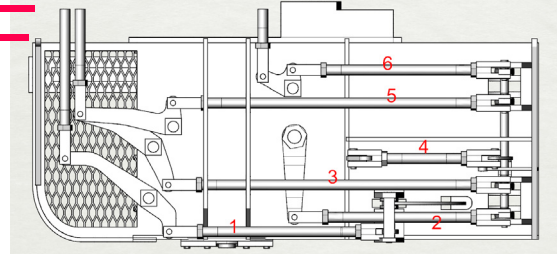


44

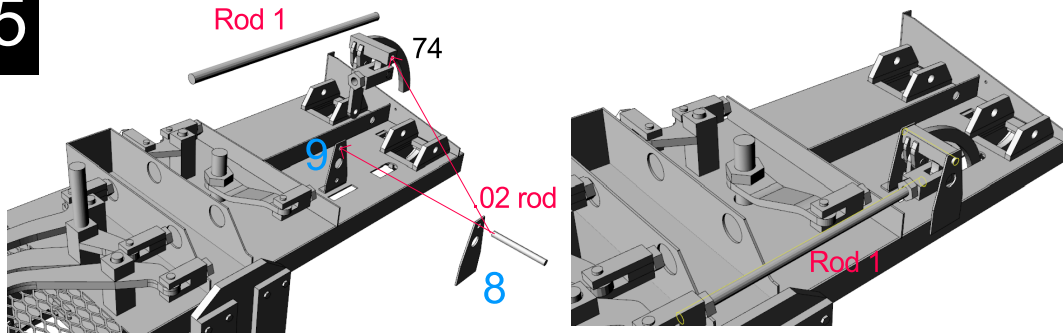


- 1
- 2
- 3
- 4
- 5
- 6

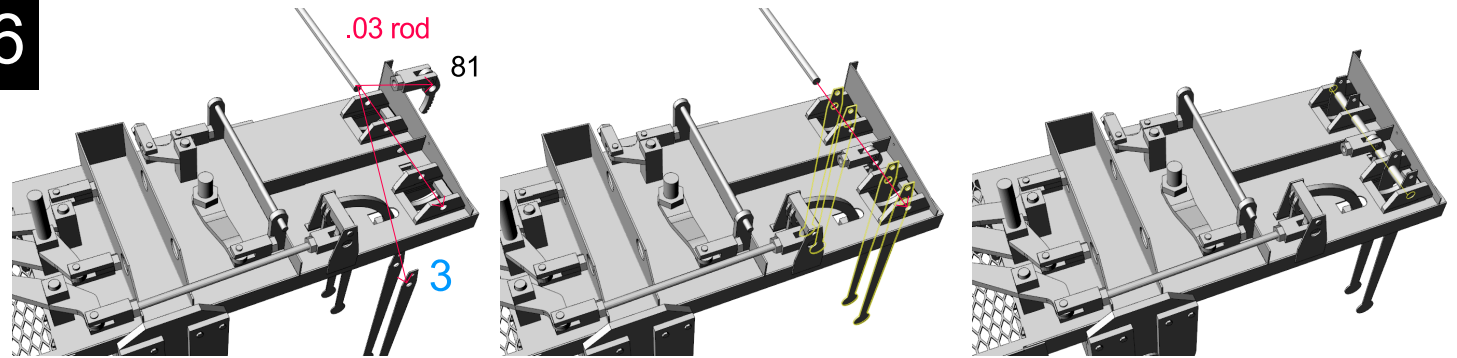
Winch Control Rods .03



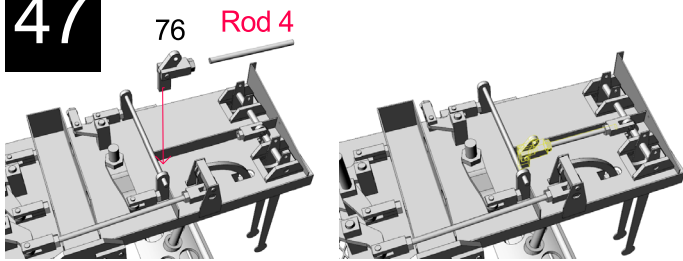
45



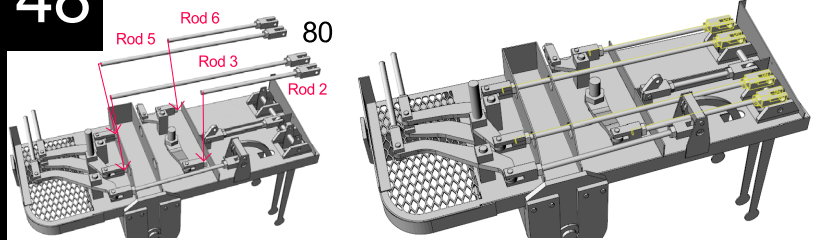
46



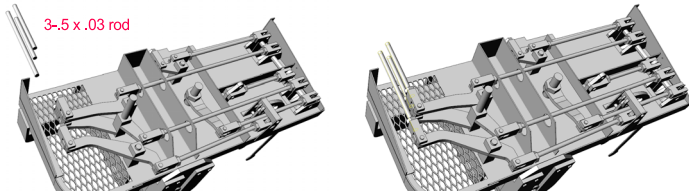
47



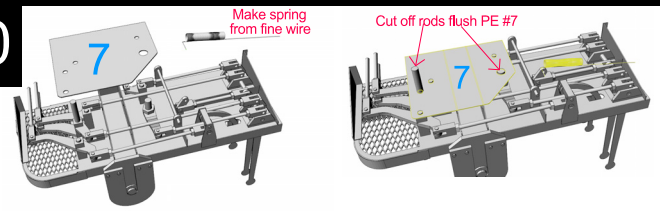
48



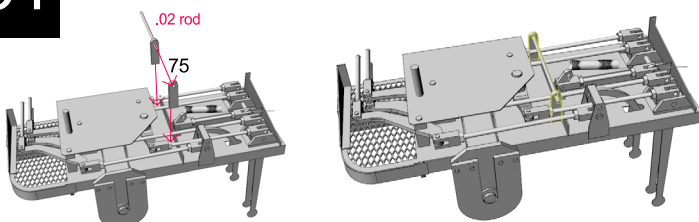
49



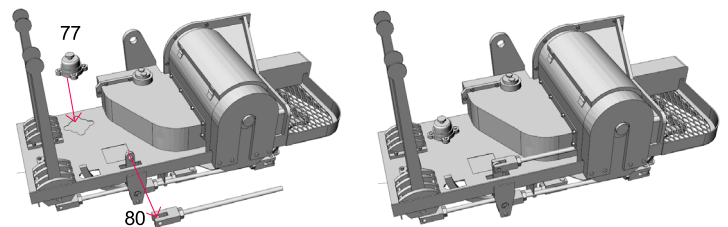
50



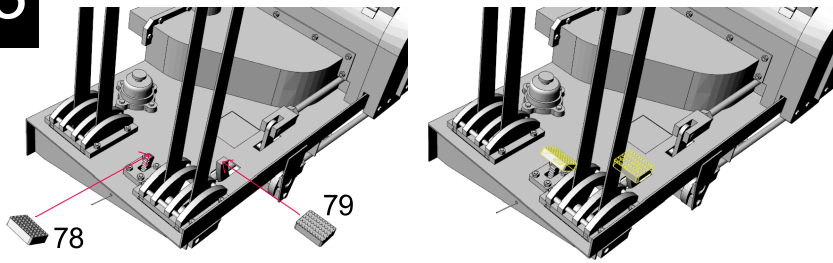
51



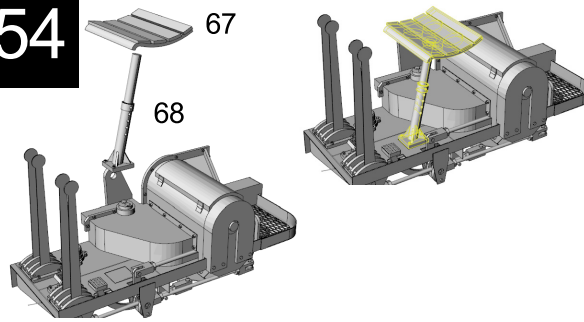
52



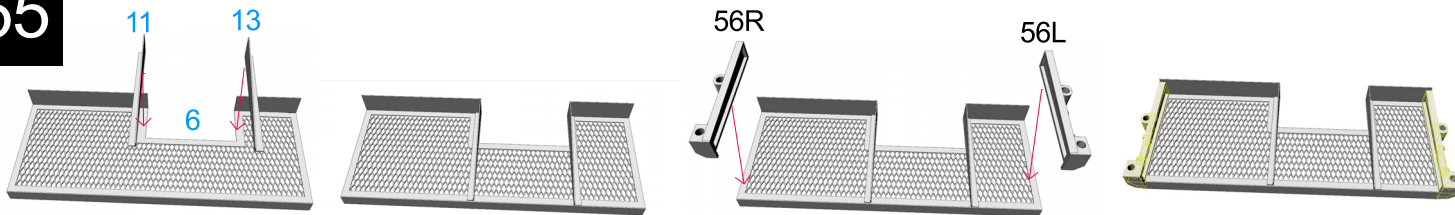
53



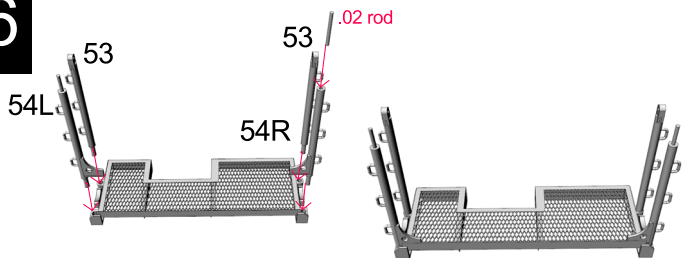
54



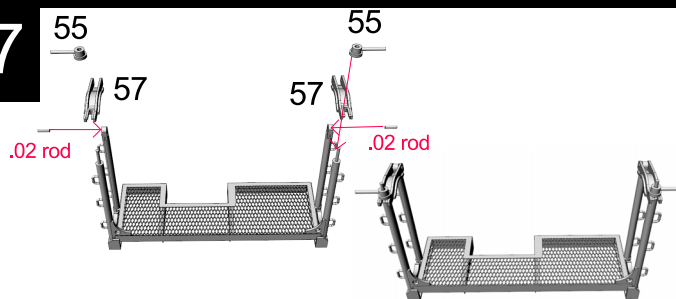
55



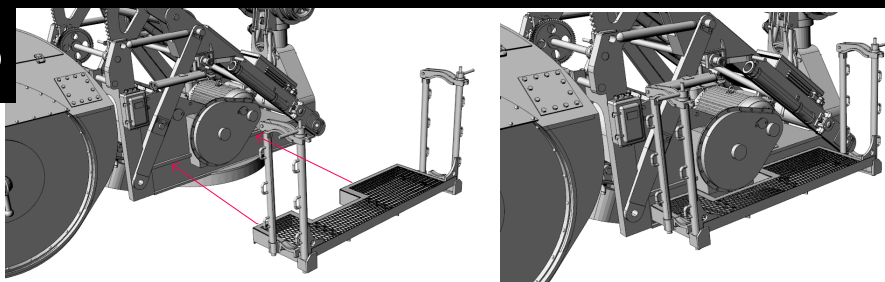
56



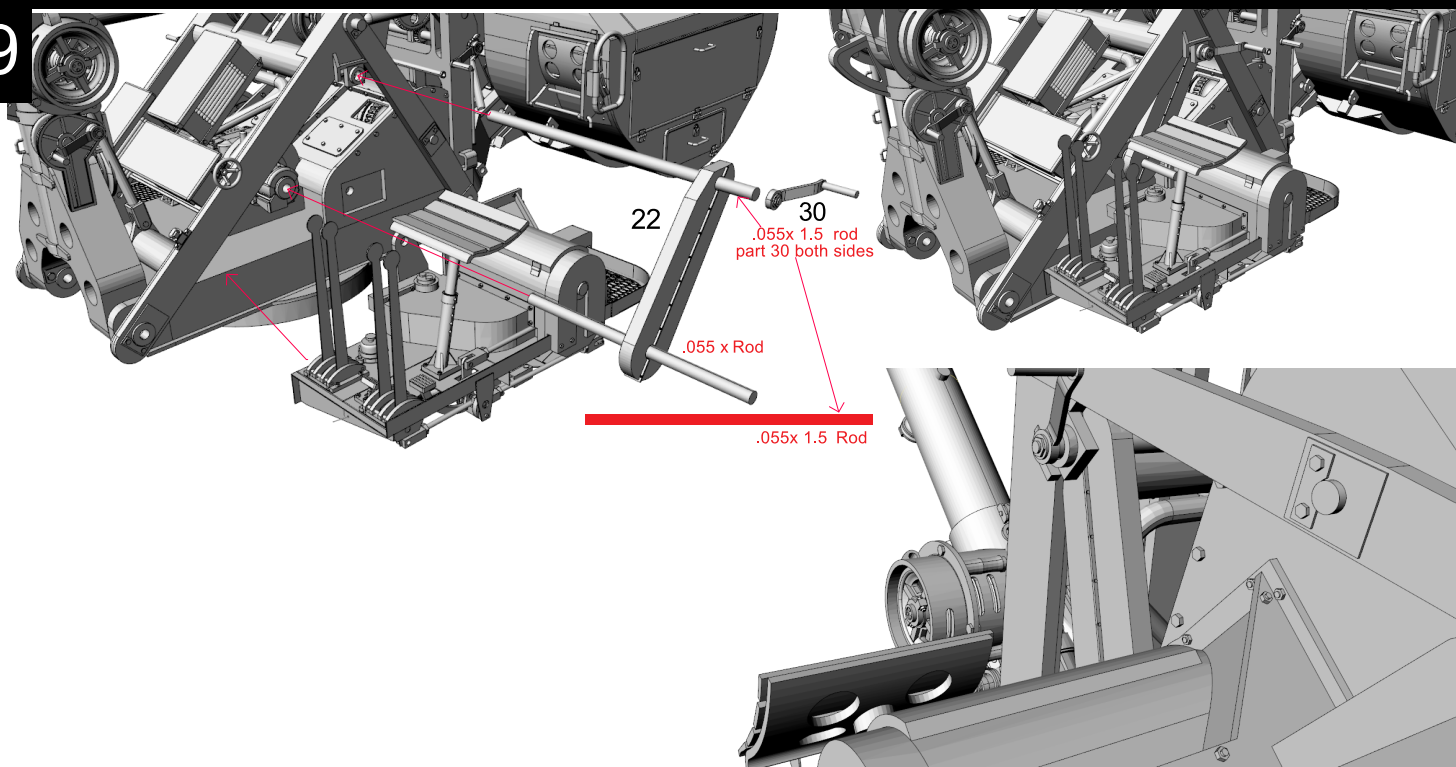
57



58



59



Final assembly and rigging

Cut yourself 3 sections of cable.

1-144" (3650mm) Boom line

1-24" (600mm) Counter weight frame line

1-36" (600mm) Lifting line. This will vary depending on your requirements for a Diorama

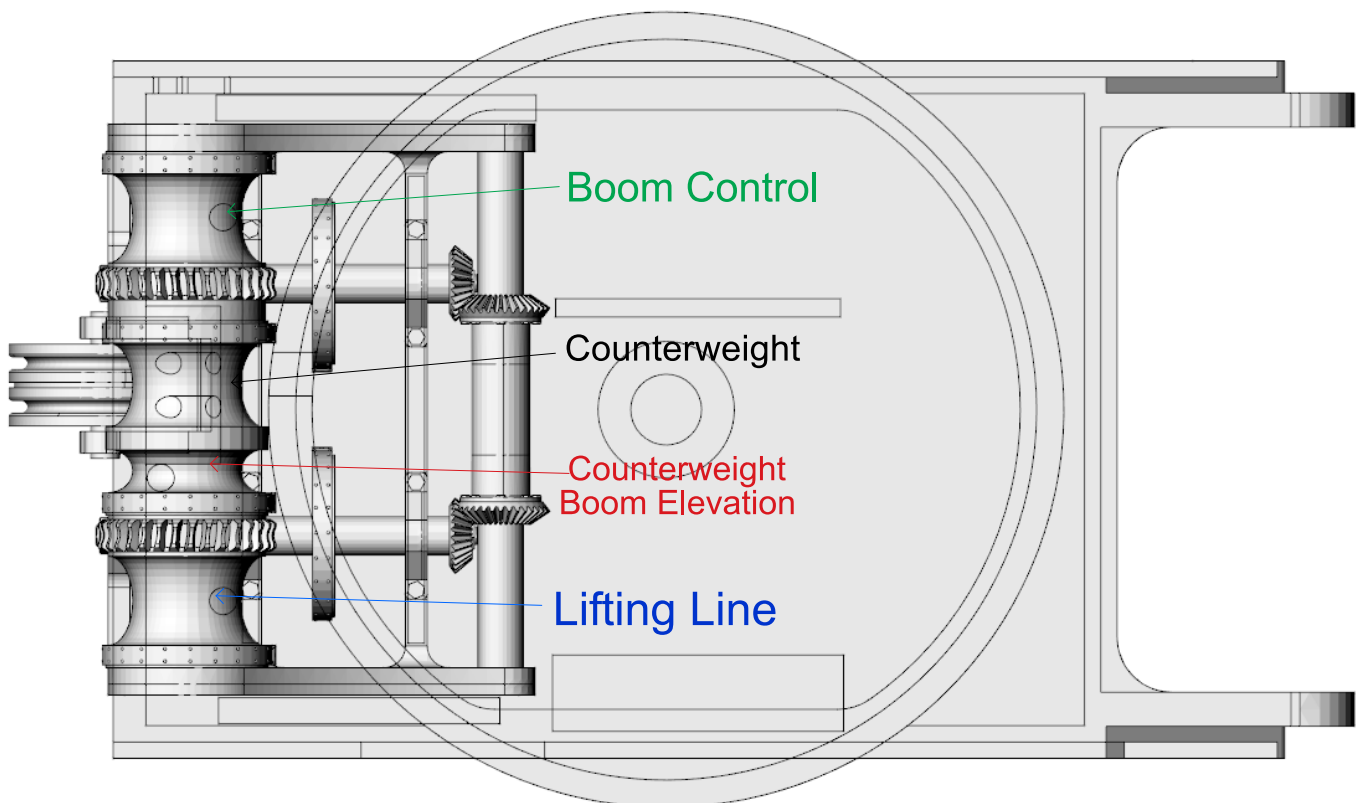
Cut cable with a lighter or soldering iron to keep line from unravelling. Take one side and coat 2 inches or so with thin CA (super glue) when dry cut at slight angle creating a needle to aid in threading the line through the pulleys.

There is no easy way to rig this so take your time and don't forget to BREATHE.

For your final fixing of the cable I have included cable clamps, slide your cable through one side then loop through the fixture then back through the clamp leaving some extra then once you are ready to do your final fix just add a small drop of CA to fix in place.



Attach your lines to the corresponding winch pulleys wrapping a few times or feed through holes in base then through the cover



Counterweight Rigging

